



# DATA SHEET

## 50 Ohm Accessories

Kabelwerk

**EUPEN** AG

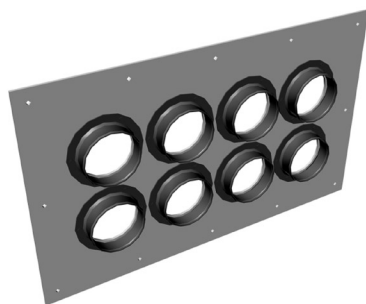
DSEP-Rev01/2008-08-18

cable

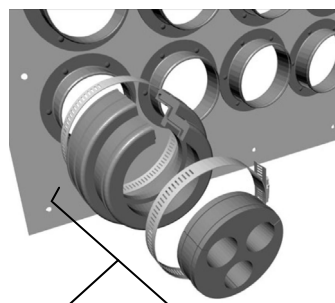
# 4" Feed-thru Entry Panels

Aluminum feed-thru entry panels enable multiple coax runs to enter buildings and shelters. The entry panel supports coax at the entry point and prevents moisture from entering the building. The 4" feed-thru entry panels accept 4" (101.6 mm) boot assemblies.

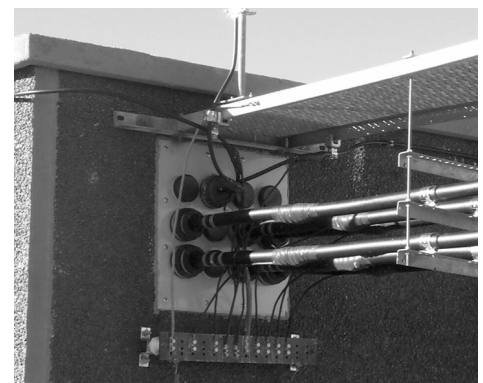
- Application : Entry port solutions
- Mounts to : Interior or exterior walls
- Size : Different configurations
- Design : Entry plates with round ports
- Material : Aluminum (2 mm)
- Feature : Easy to install solution
- Including :
  - Entry panel
  - Attachment hardware
  - Sealing caps



Entry panel EUEP-576-4-2x4



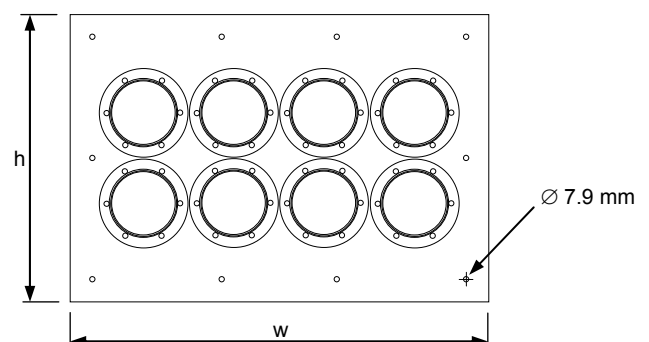
Boot assembly (order separately)



## PRODUCT OVERVIEW

Reference	Ports (4")	Configuration <i>rows x ports</i>	Width, w <i>mm</i>	Height, h <i>mm</i>	Part#
• EUEP-220-4-1x1	1	1 x 1	177.8	177.8	5900996
• EUEP-1448-4-1x2	2	1 x 2	393.7	241.3	5918996
• EUEP-1635-4-1x3	3	1 x 3	508	241.3	H632996
• EUEP-1199-4-2x2	4	2 x 2	444.5	444.5	5901996
• EUEP-576-4-2x4	8	2 x 4	647.7	444.5	G944996
• EUEP-1336-4-2x6	12	2 x 6	1003.3	444.5	H967996
• EUEP-1118-4-3x4	12	3 x 4	647.7	647.7	J500996
• EUEP-1333-4-3x6	18	3 x 6	1003.3	647.7	A316996

Other configurations available on request.





# DATA SHEET

## 50 Ohm Accessories

Kabelwerk | **EUPEN** AG

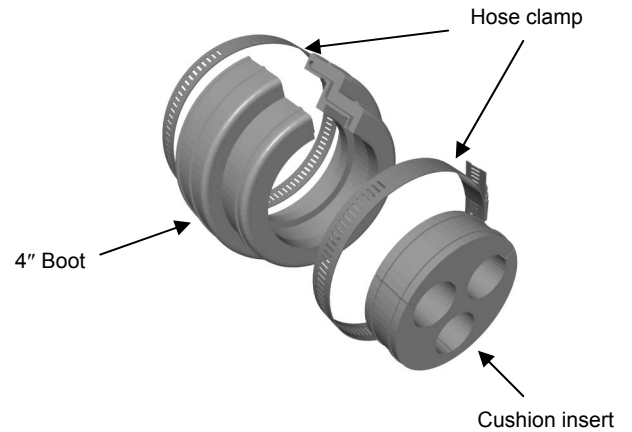
DSEP-Rev01/2008-08-18

cable

## 4" Boot Assemblies

Boot assemblies are designed to be fitted onto entry panels in wall-roof feed-through applications. The cushion inserts fit inside the boot assembly to hold the coax in place.

- Application : Entry port solutions
- Mounts to : 4" entry panels
- Size : Different versions
- Design : Compression boot kit
- Material : EPDM rubber
- Feature : Easy to install solution
- Including :
  - Boot
  - Cushion
  - 2 hose clamps



### PRODUCT OVERVIEW

Reference	Cable type	Holes	Part#
•EUBA-12-1A	1/2"	1	E748996
•EUBA-12-4A	1/2"	4	G945996
•EUBA-78-1A	7/8"	1	E731996
•EUBA-114-1A	1-1/4"	1	E749996
•EUBA-158-1A	1-5/8"	1	G676996

