



TECHNICAL DATA SHEET

Passive Components

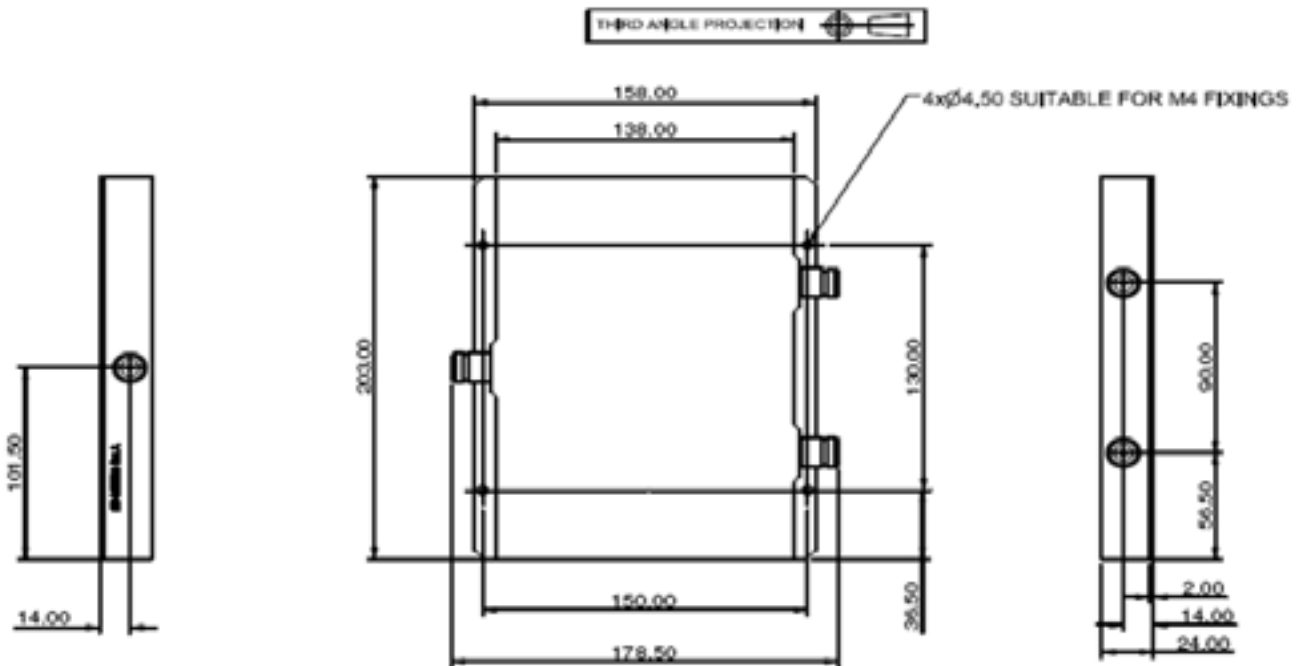
Kabelwerk **EUPEN** AG

Rev.: 00/2005-10-19

cable

EPC-SC Wideband 2-Way Splitter/Combiner

• Frequency Range	MHz	68 to 470
• Part Number (N-Type)		EPC SC-A 165
• Power Rating (as Splitter)	W	100
• Insertion Loss (Typical)	dB	<3.4
• Return Loss (All Ports)	dB	Input >18 Output >20
• Isolation between Ports (Typical)	dB	19
• Impedance	Ω	50
• Operating Temperature Range	$^{\circ}\text{C}$	-20 to +55
• Operating Humidity Range	%	0 to 95 non-condensing
• Weight	kg	1.29
• Environmental		IP65
• Connectors		N-female
• Mechanical	mm	203 x 178.5 x 24



All measurements in mm