



TECHNICAL DATA SHEET

Passive Components

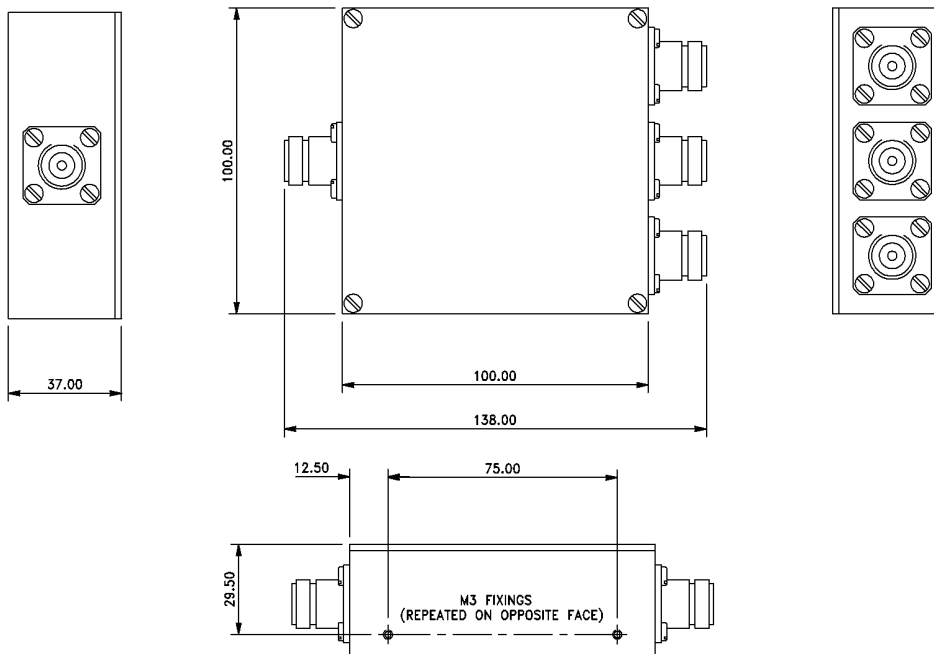
Kabelwerk **EUPEN** AG

Rev.: 00/2005-08-18

cable

EPC-SC 3-Way Splitter/Combiner

• Frequency Range		VHF or UHF
• Bandwidth	$f\%$	$\pm 10\%$
• Part Number (N-Type)		EPC SC-A 001 EPC SC-A 002
• Power Rating (as Combiner)	W	1 W (CW) per Input Port (10 W with Optional Heatsink)
• Power Rating (as Splitter)	W	100 (CW)
• Total Number of Ports		4
• Isolation between Input Ports	dB	>20
• Insertion Loss (Typical)	dB	5.2
• VSWR		better than 1.3:1
• Impedance	Ω	50
• Operating Temperature Range	$^{\circ}\text{C}$	-20 to +55
• Weight	kg	1.0
• Environmental		IP54
• Connectors		N-Type F standard, N-Type M and DIN 7/16 on request



All measurements in mm